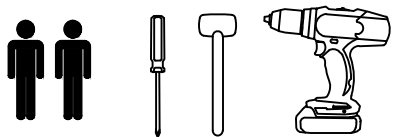
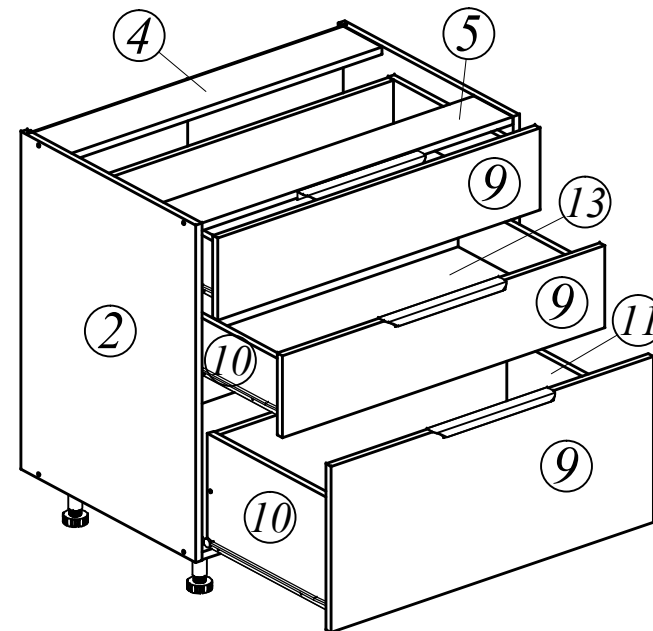
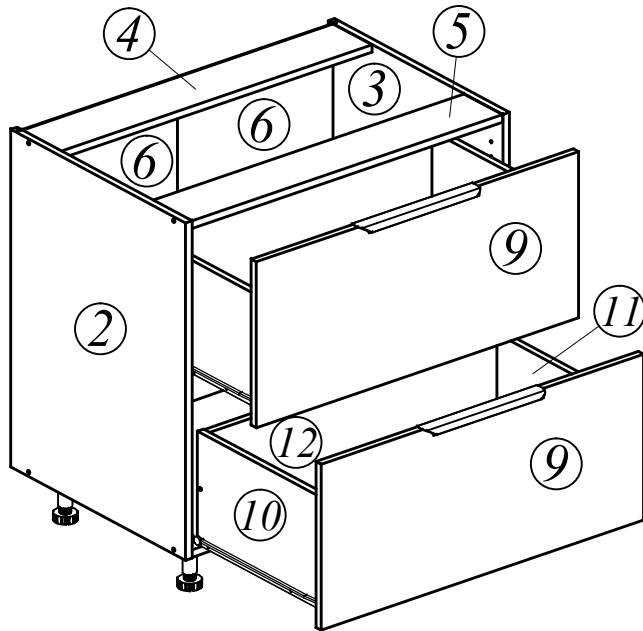
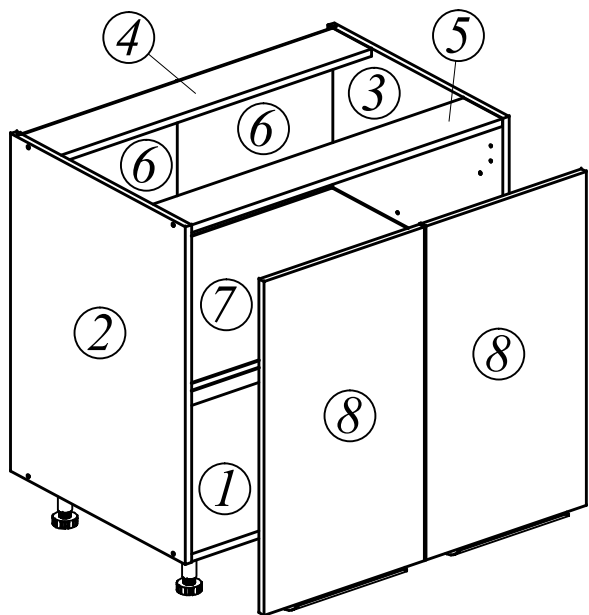
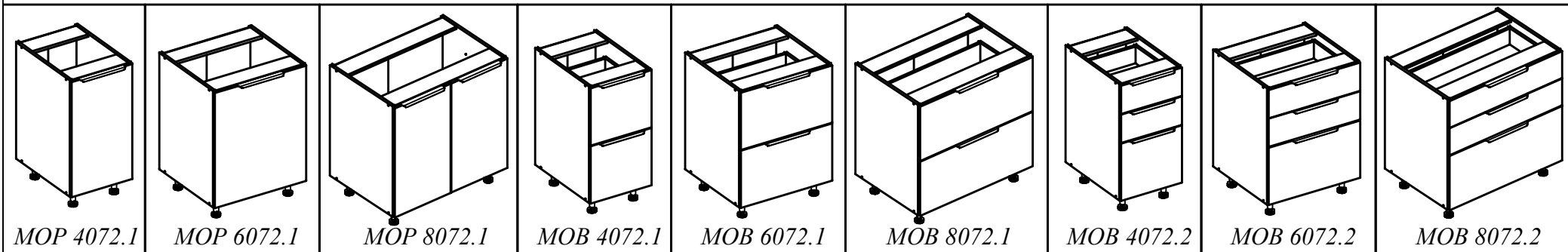
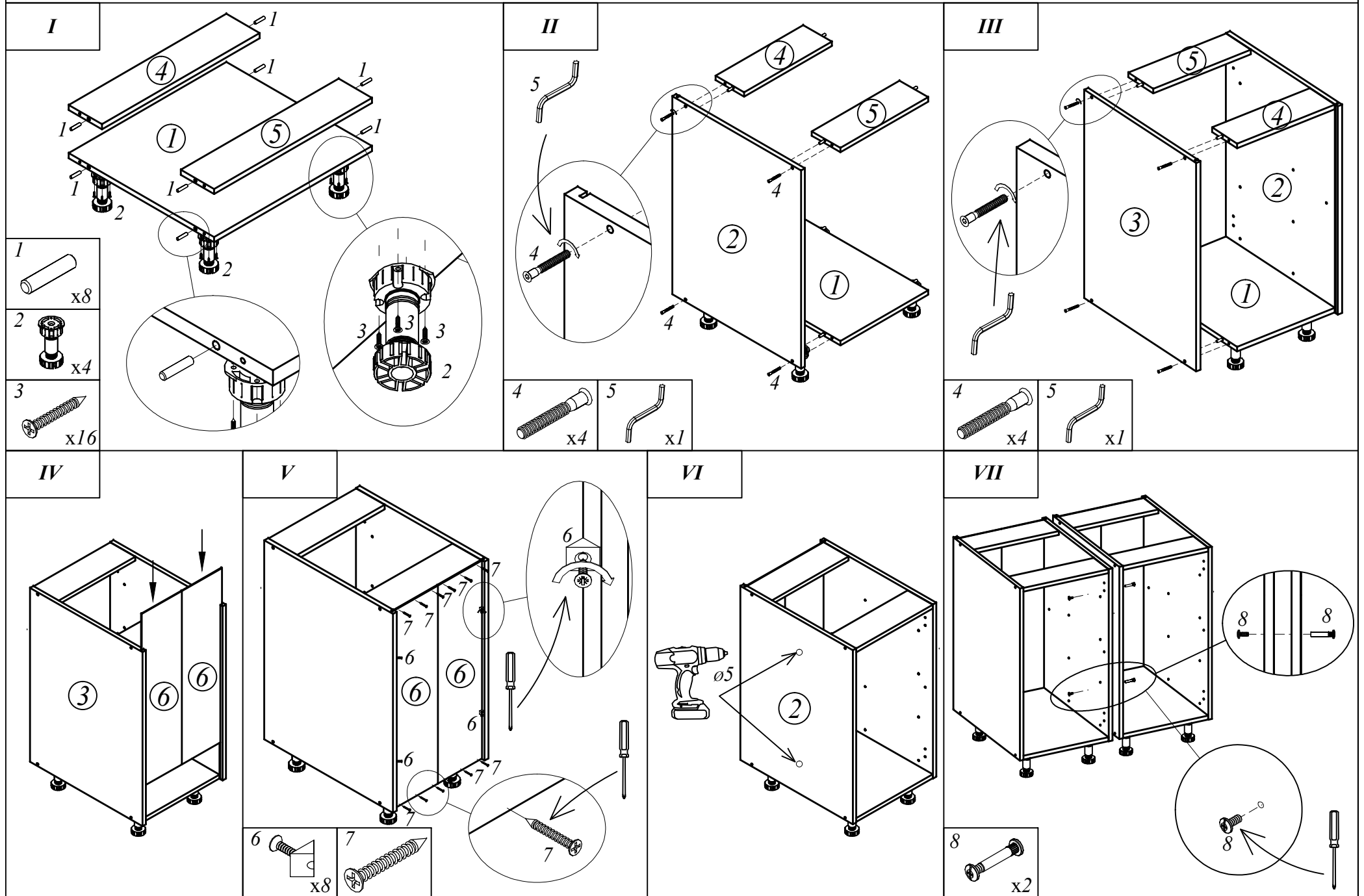


**MOP 4072.1, MOP 6072.1, MOP 8072.1, MOB 4072.1, MOB 6072.1, MOB 8072.1,  
MOB 4072.2, MOB 6072.2, MOB 8072.2**

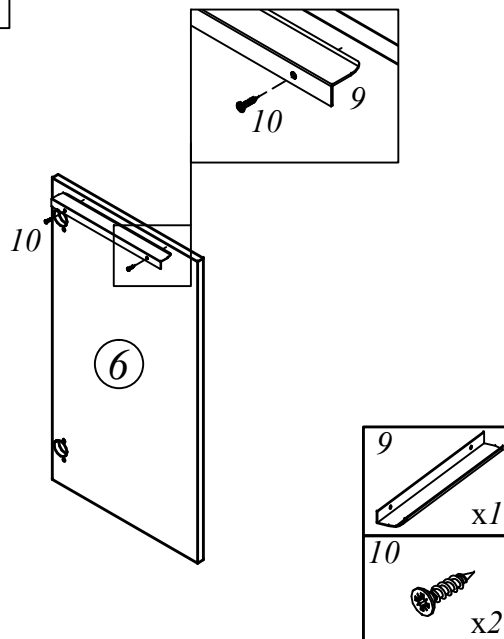


**EAC**

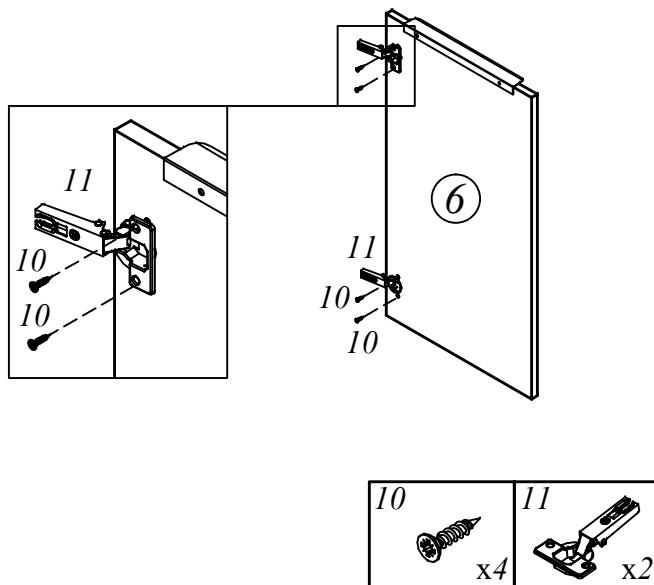




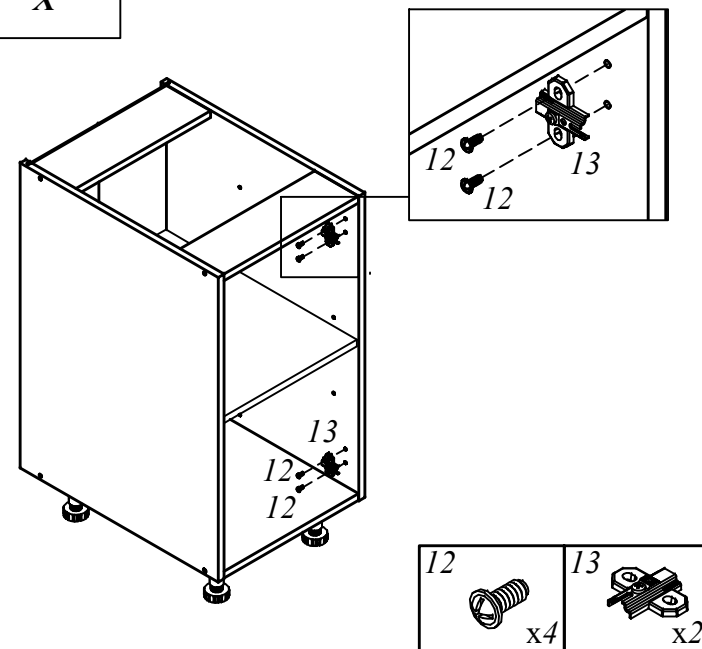
VIII



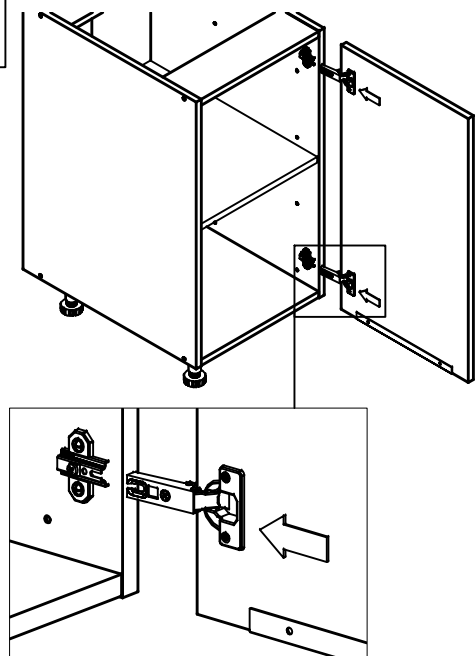
IX



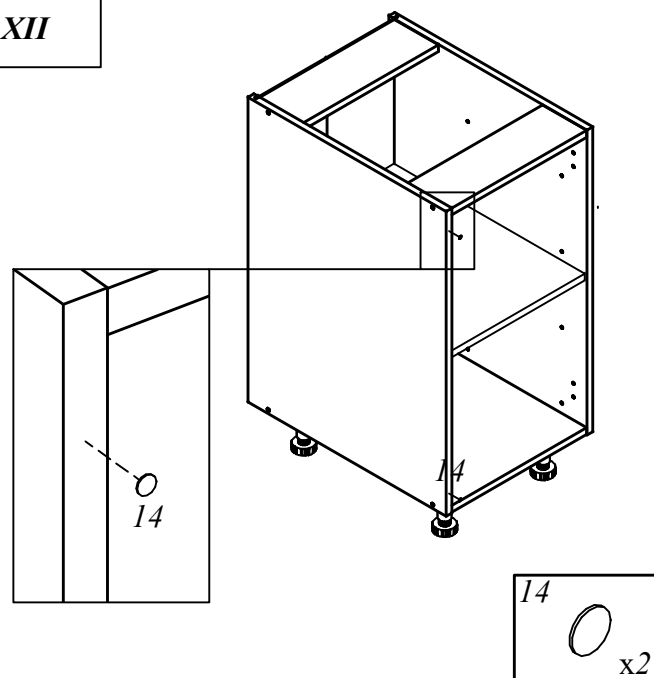
X



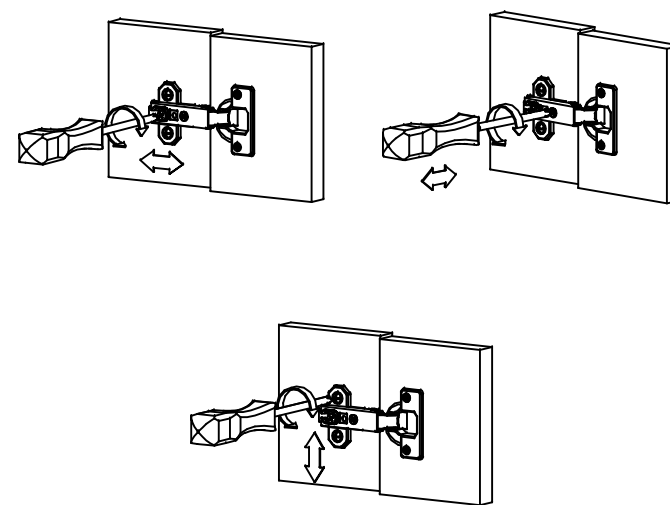
XI



XII



XIII



**MOB 4072.1, MOB 6072.1, MOB 8072.1, MOB 4072.2, MOB 6072.2, MOB 8072.2**

**VIII**

2, 3, 15, 16

15 x3, 16 x18

**IX**

1, 9, 10, 11, 12, 17, 18

1 x24, 17 x6, 18 x6, 9 x3, 10 x6

**X**

4, 5, 10, 11, 12

4 x6, 5 x1

**XI**

9, 13, 15, 16, 19

15 x3, 16 x18, 19 x6

**XII**

14

14 x6

**XIII**

9