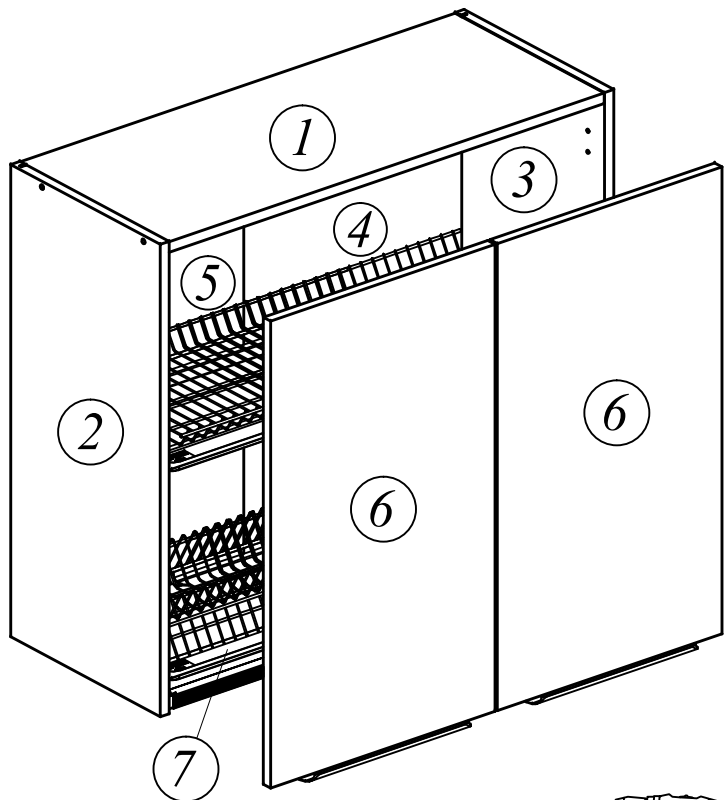


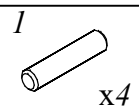
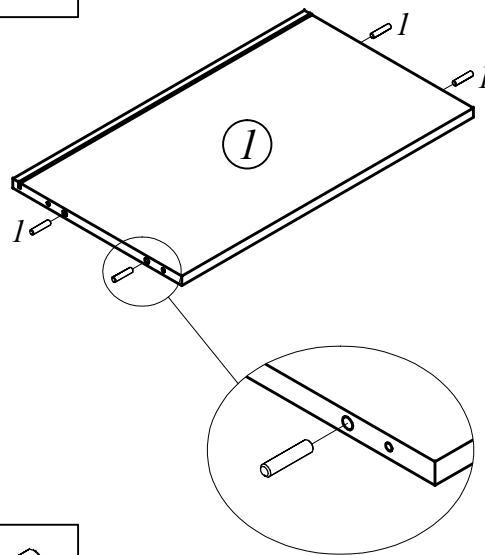
MHSU 4072.1, MHSU 6072.1, MHSU8072.1



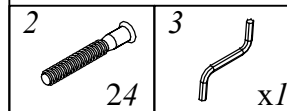
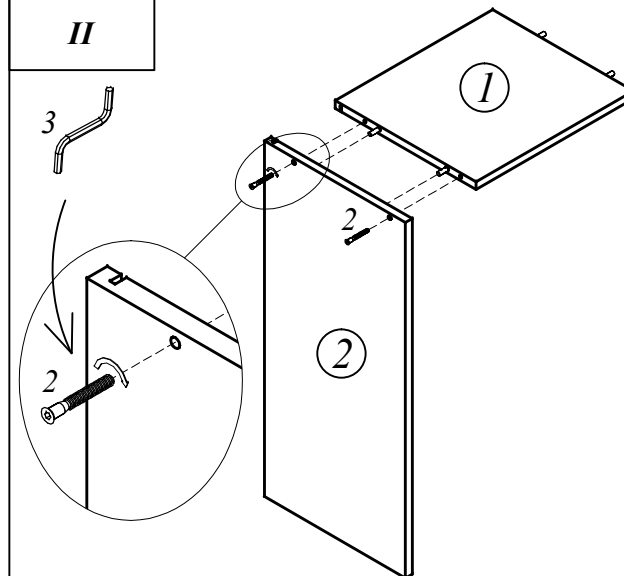
EAC



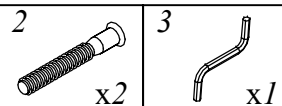
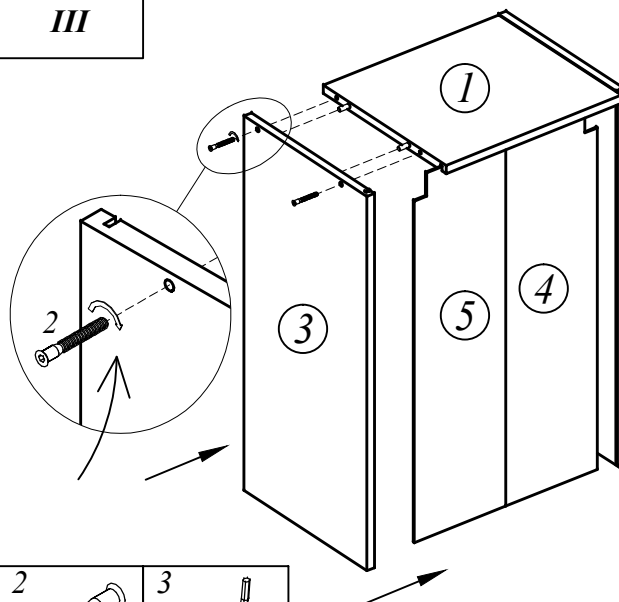
I



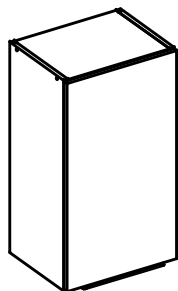
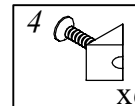
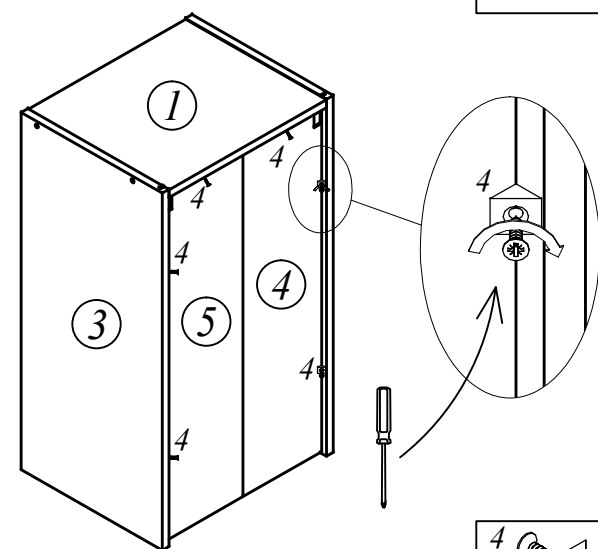
II



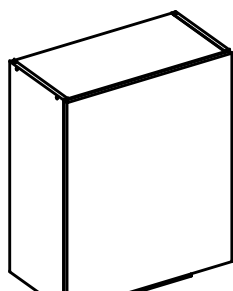
III



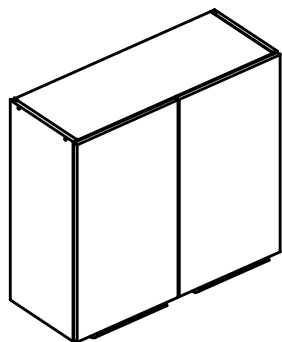
IV



MHSU 4072.1



MHSU 6072.1

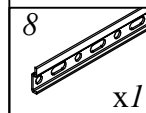
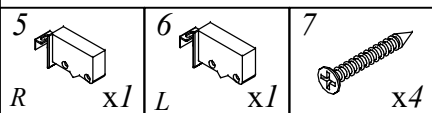
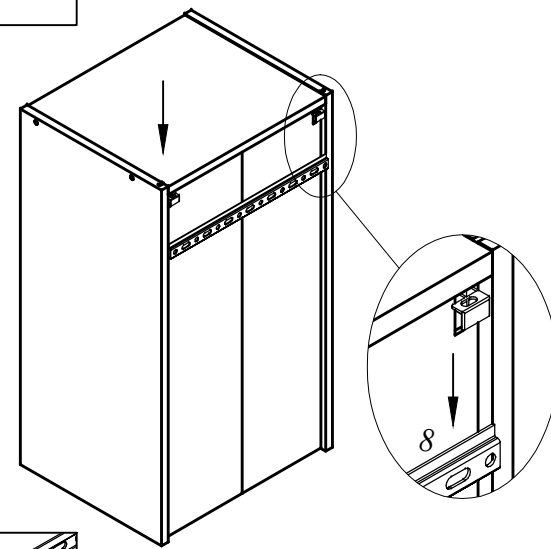
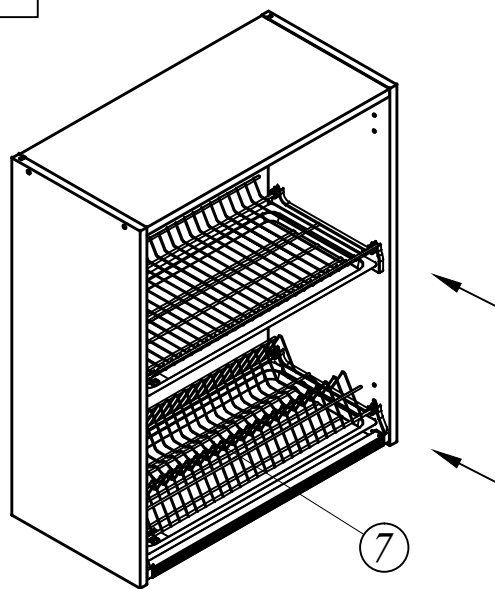
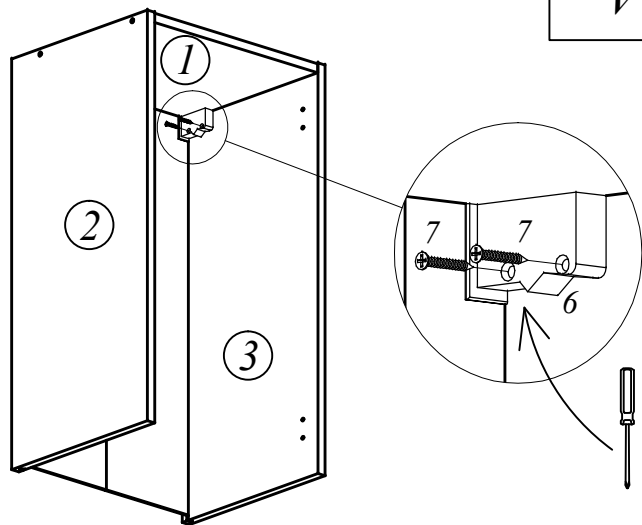


MHSU 8072.1

V

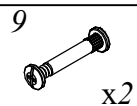
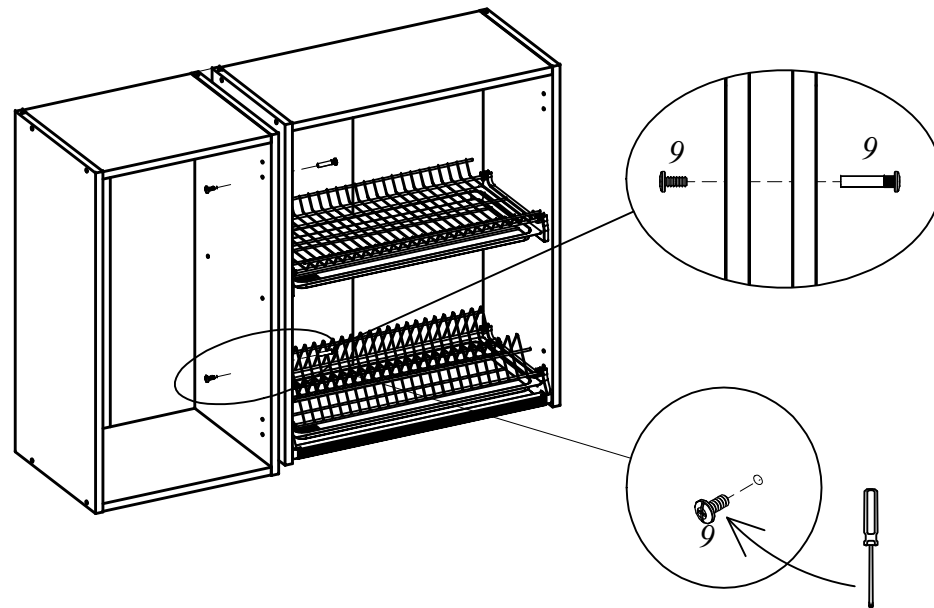
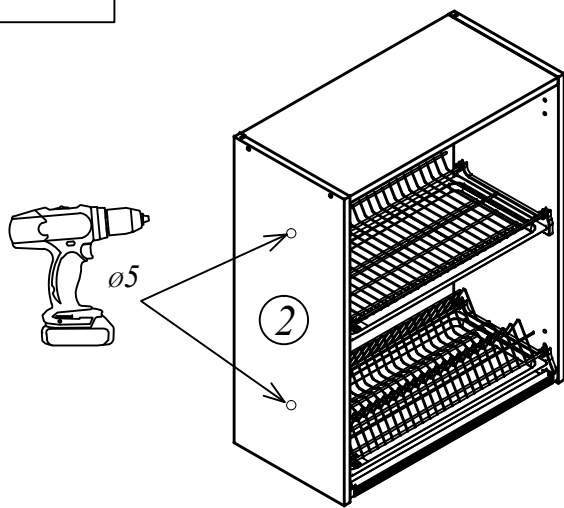
VI

VII

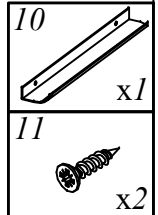
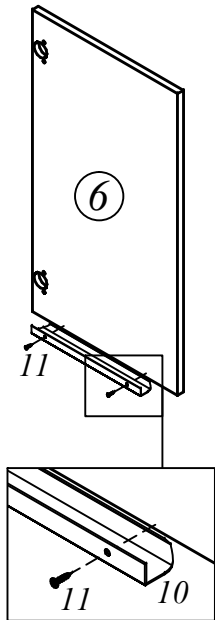


VIII

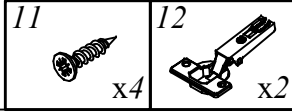
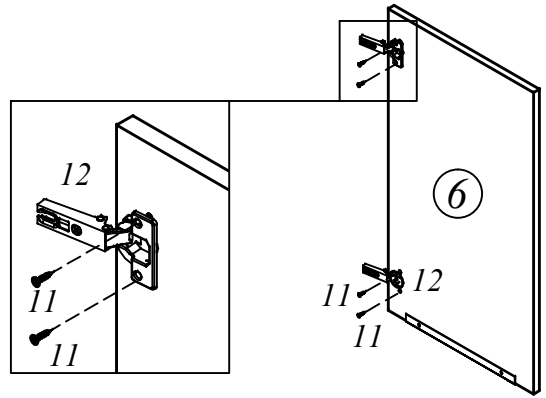
IX



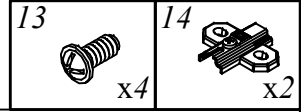
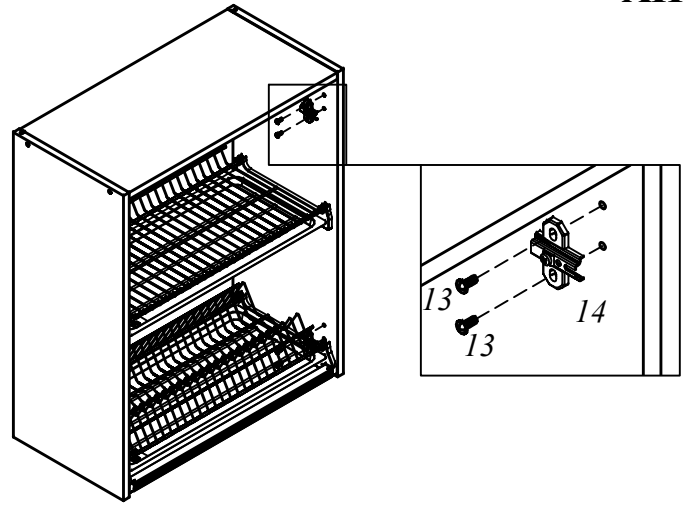
X



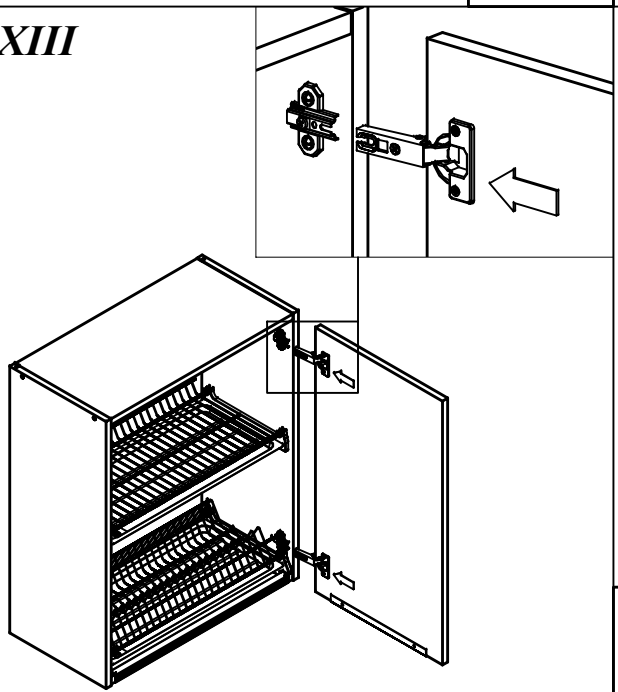
XI



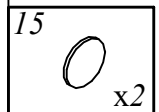
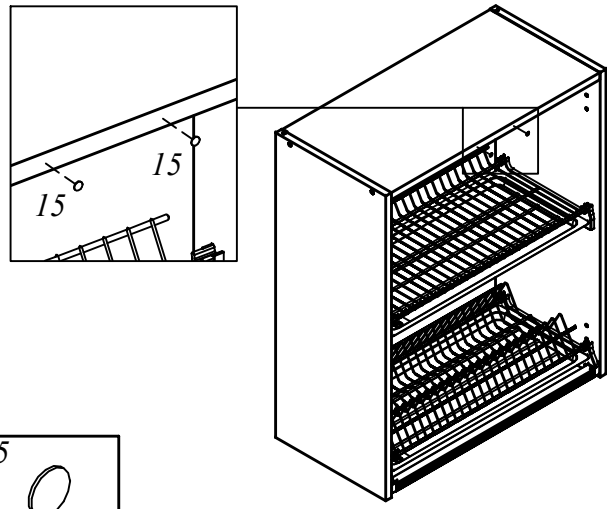
XII



XIII



XIV



XV

