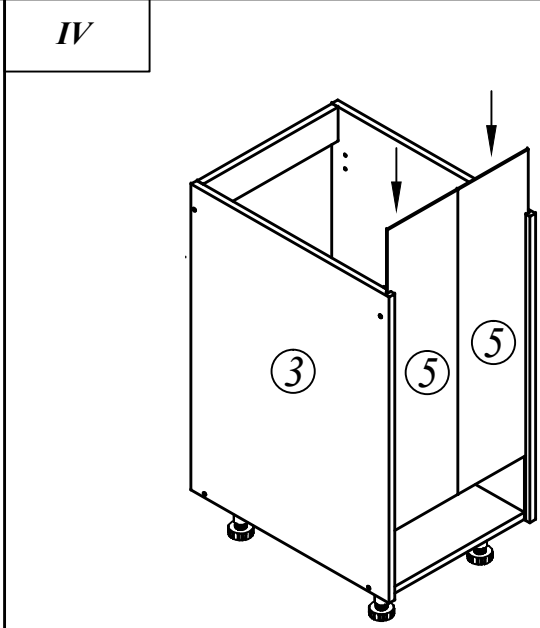
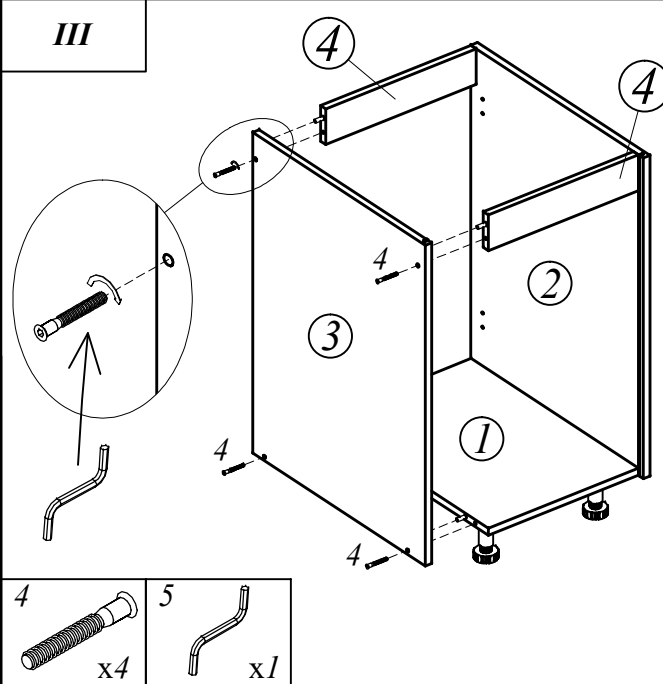
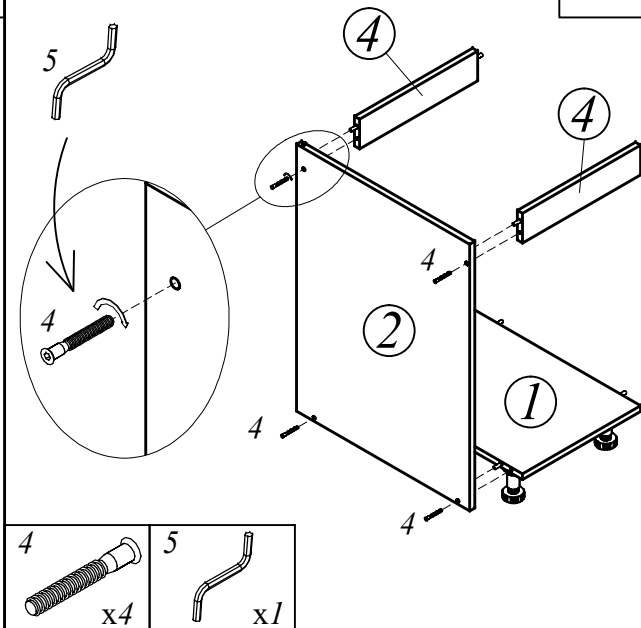
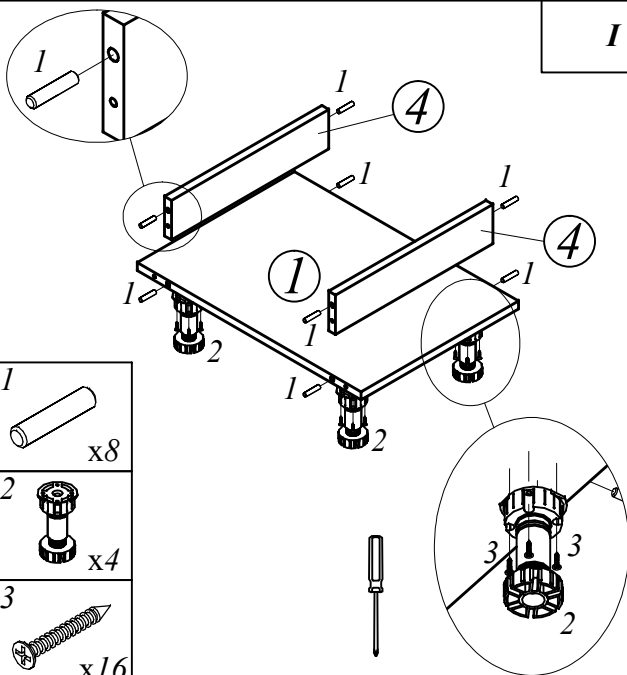
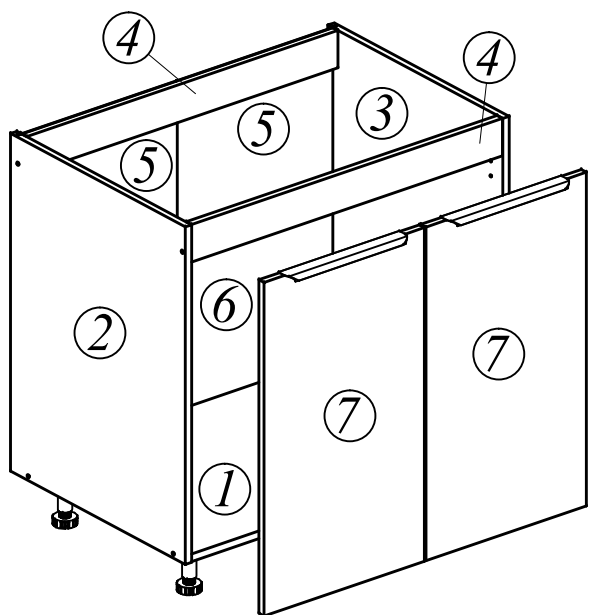
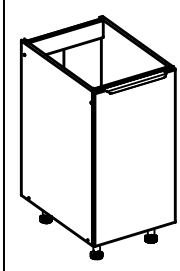


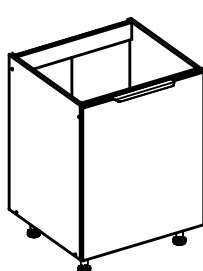
MOP 4072M.1, MOP 6072M.1, MOP 8072M.1



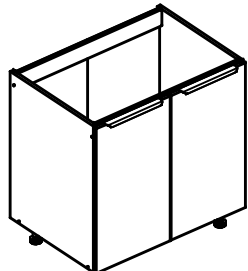
EAC



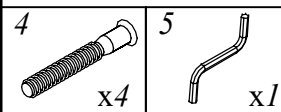
MOP 4072M.1



MOP 6072M.1



MOP 8072M.1



V

6 x8

7

VI

ø5

2

VII

8

8

8 x2

VIII

10

9

7

9 x1

10 x2

IX

11

10

7

10

10 x4

11 x2

X

12

13

2

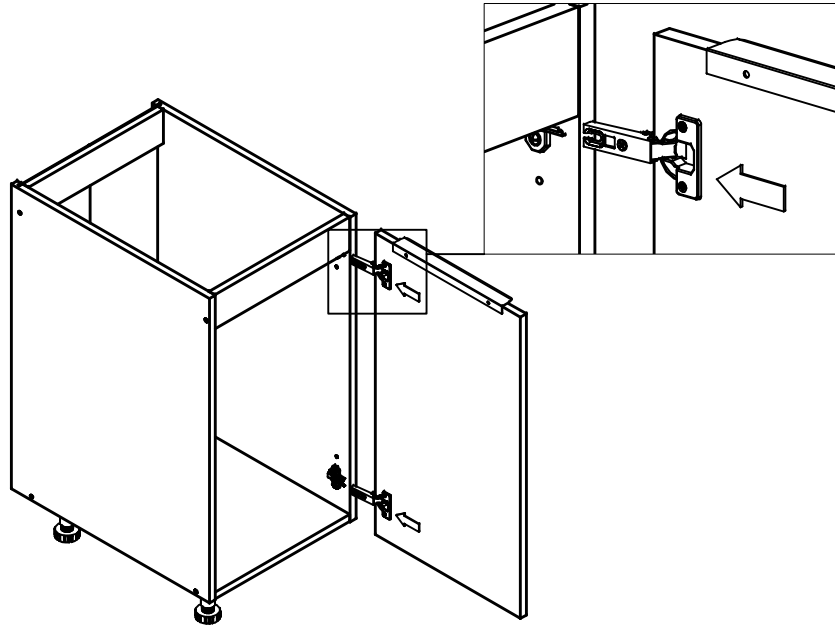
3

7

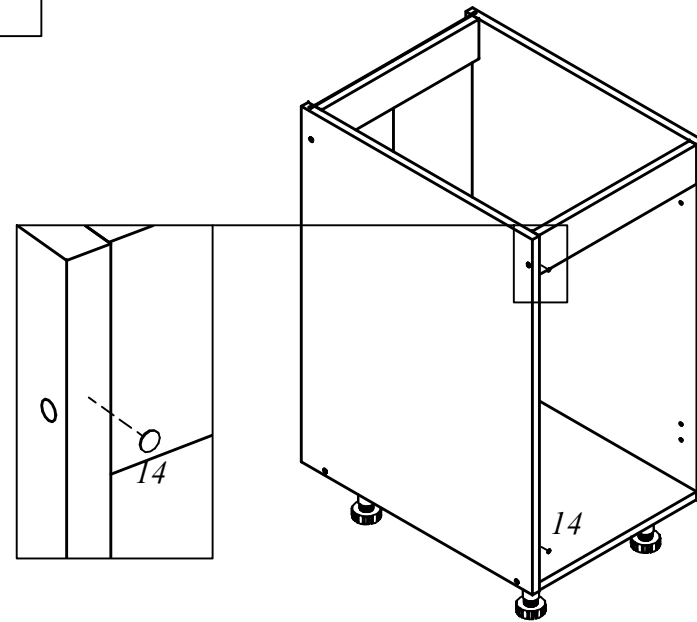
12 x4

13 x2

XI



XII



XIII

