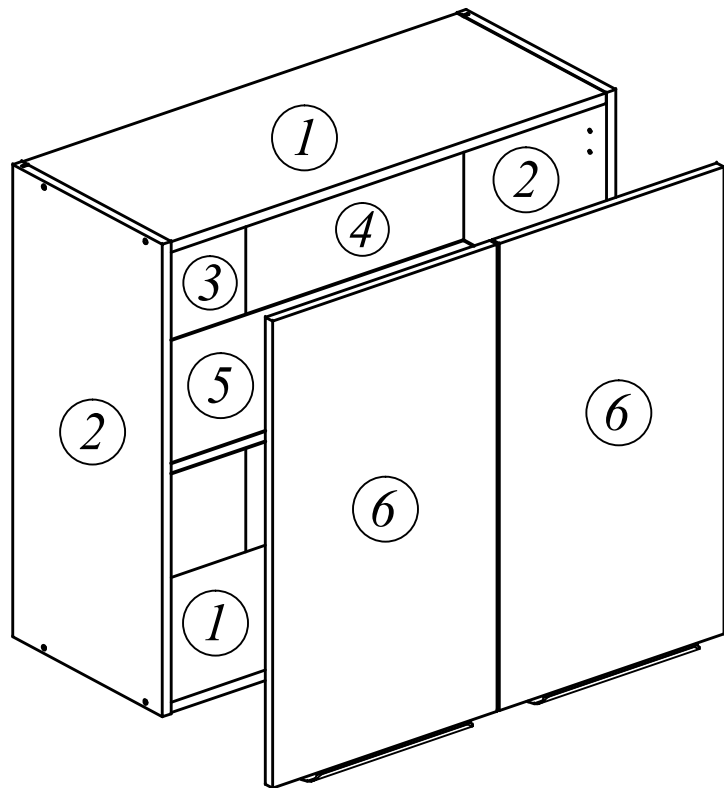
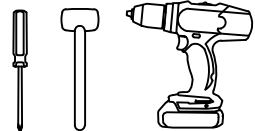


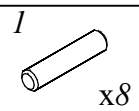
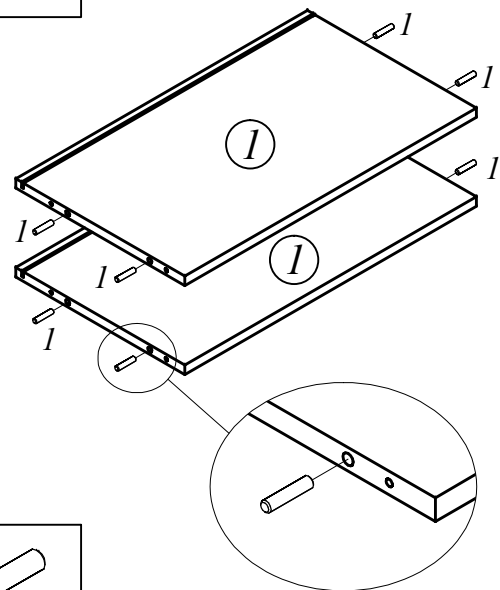
MHP 4072.1, MHP 6072.1, MHP 8072.1



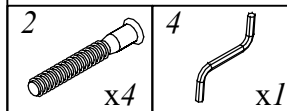
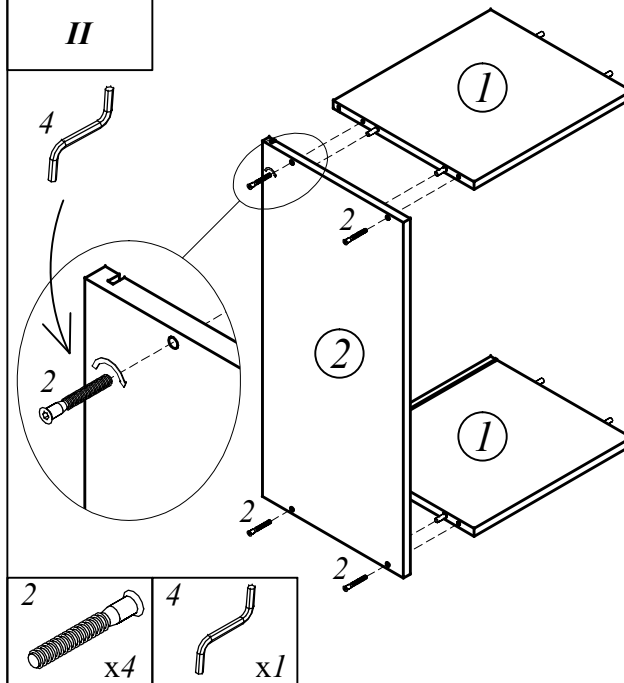
EAC



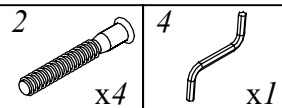
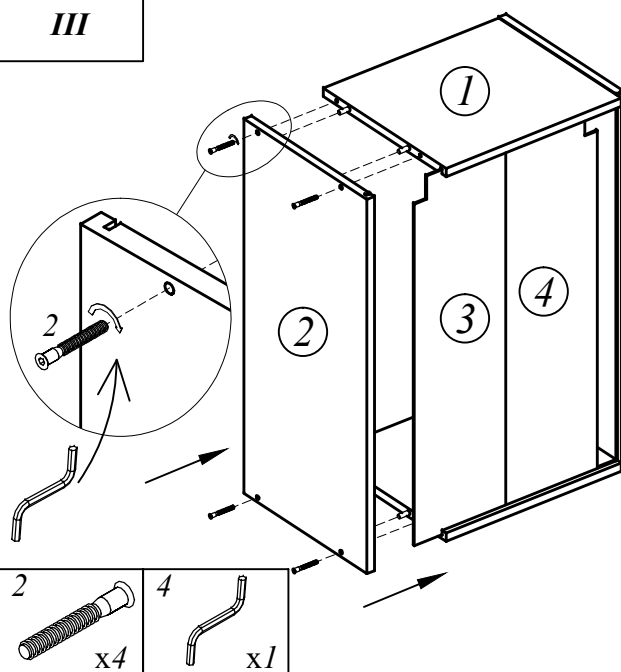
I



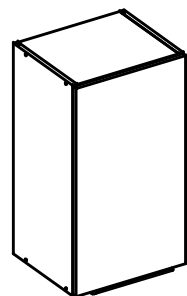
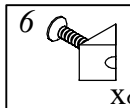
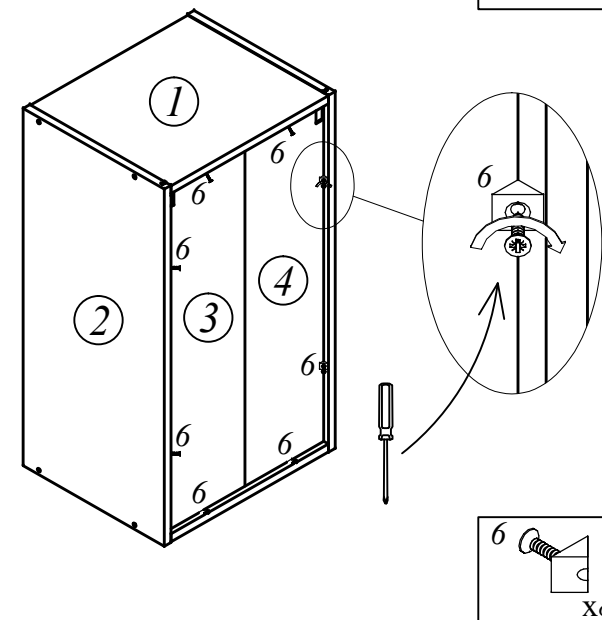
II



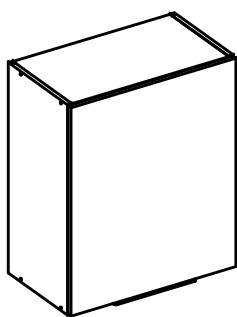
III



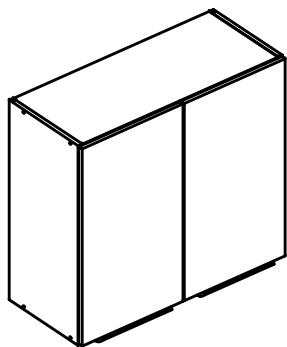
IV



MHP 4072.1

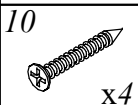
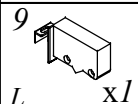
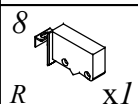
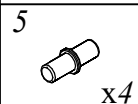
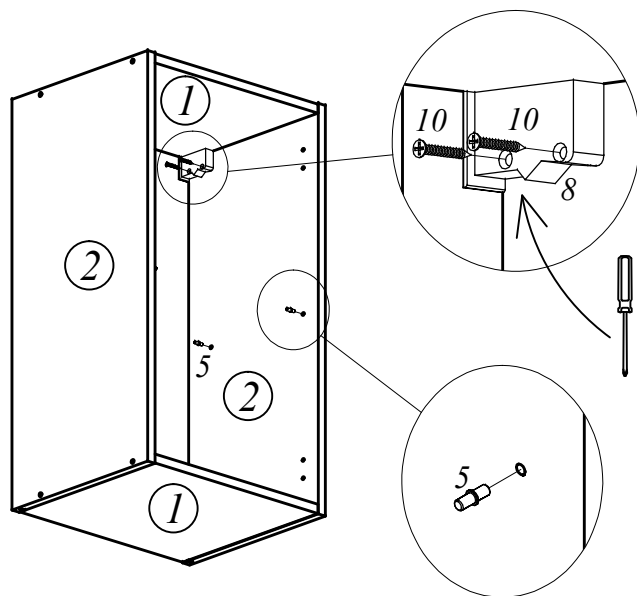


MHP 6072.1

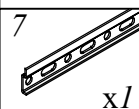
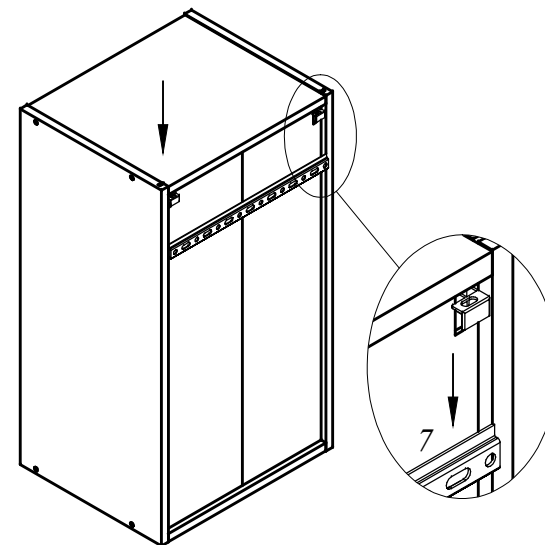


MHP 8072.1

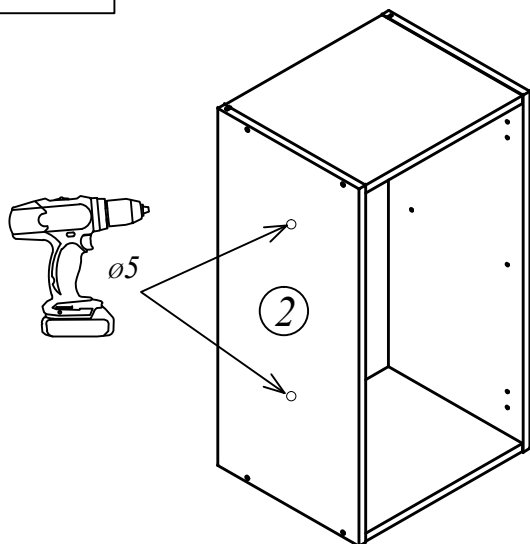
V



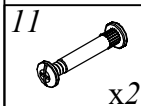
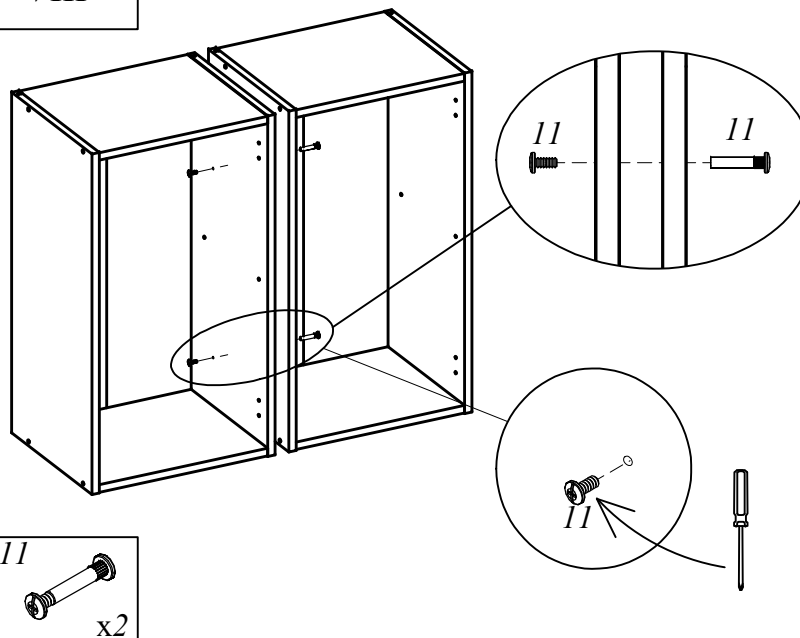
VI



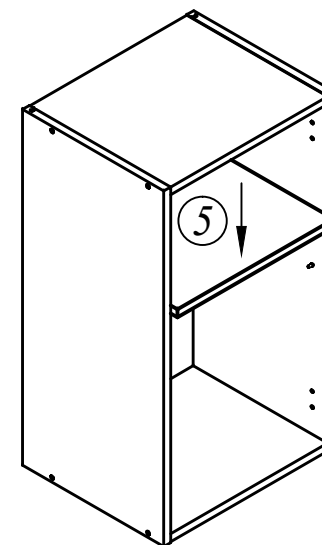
VII



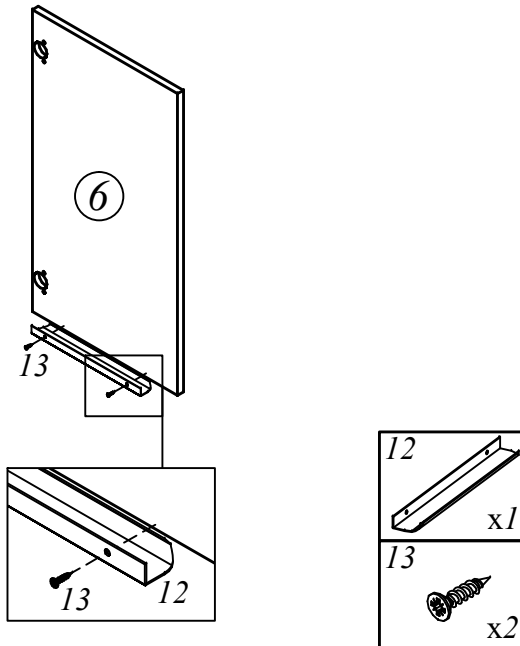
VIII



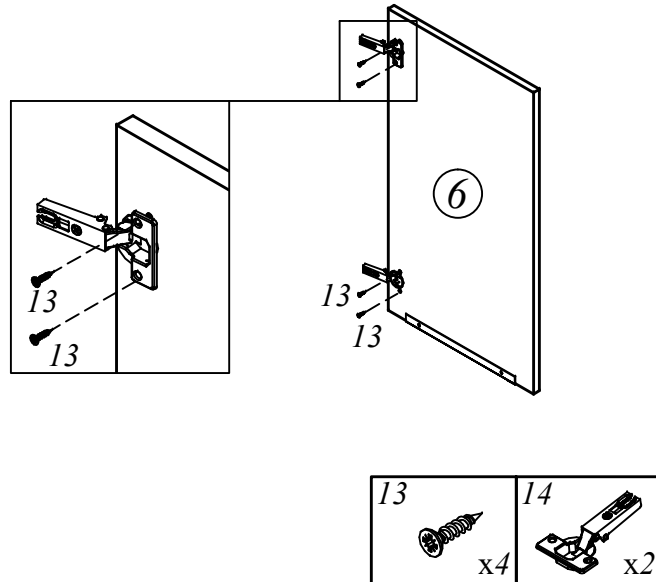
IX



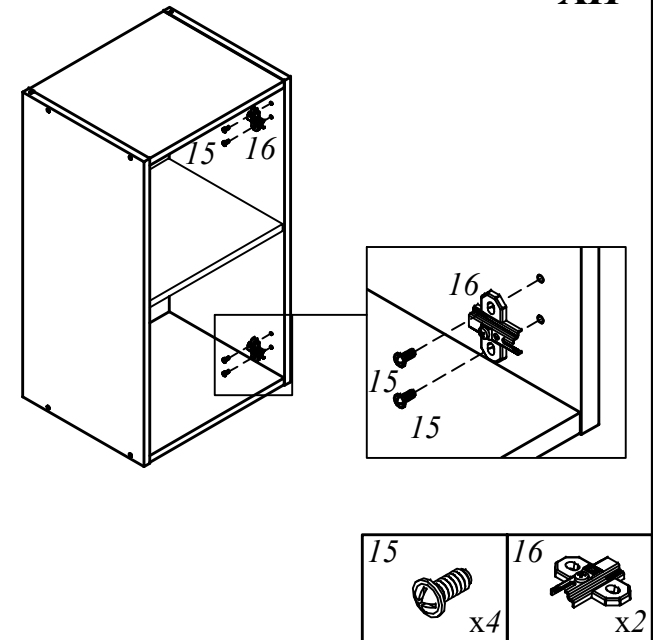
X



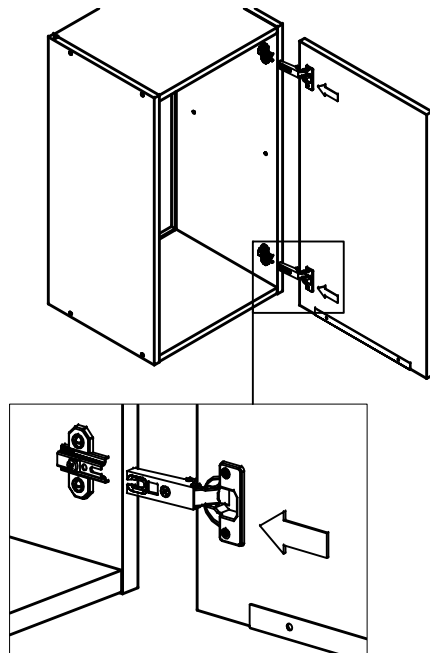
XI



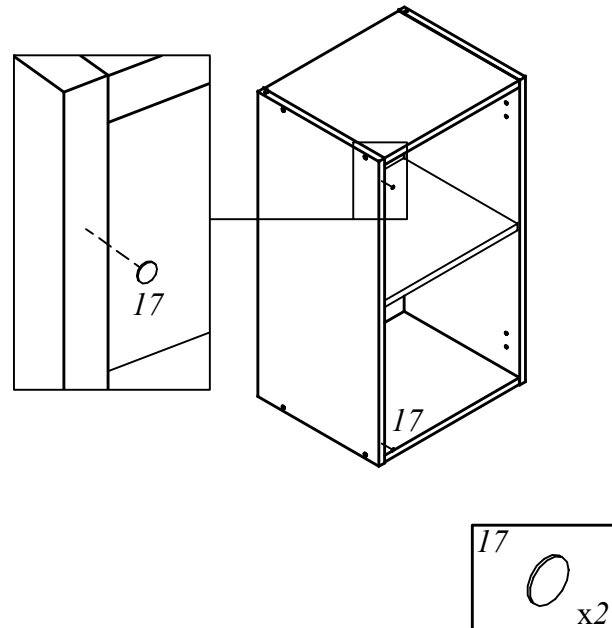
XII



XIII



XIV



XV

